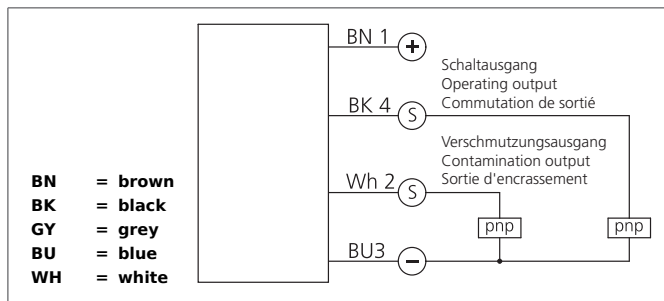
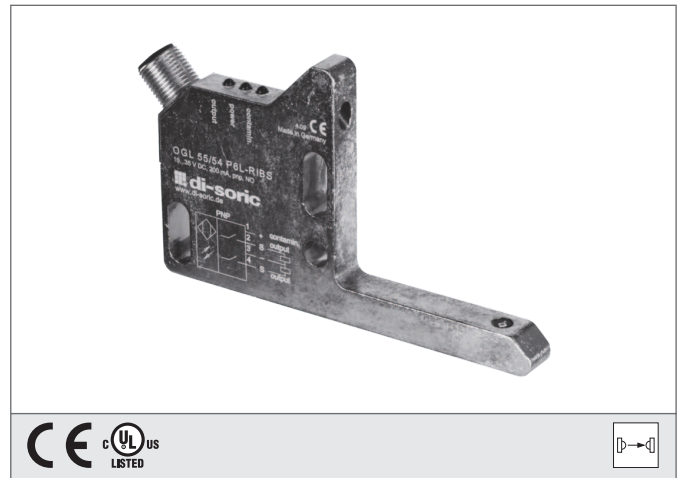


OGL 55/54-0 P6L-RIBS

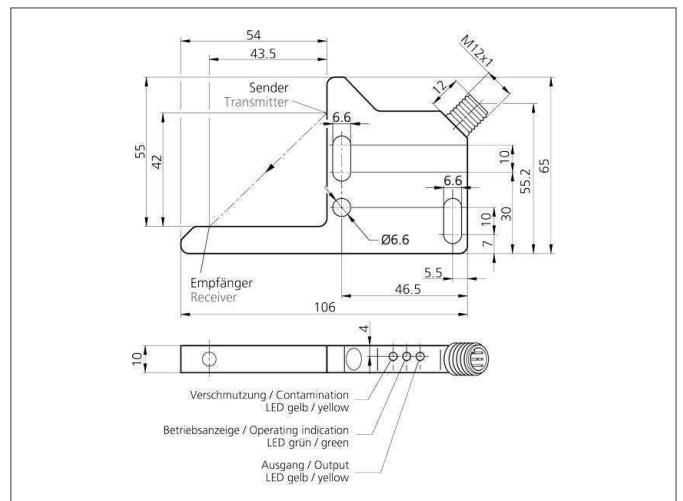
High Performance Angled Light Barrier

- Intelligent contamination output with LED
- High functional reserve
- Extremely dirt-resistant
- Optical axis approachable in x-, y- and z-direction
- All-purpose mounting
- Robust metal casing



Safety instructions

The Instruments are not to be used for safety applications, in particular applications in which safety of persons depends on proper operation of the instruments.
 These instruments shall exclusively be used by qualified personnel.



| TECHNICAL INFORMATION (typ.) | +20°C, 24V DC |
|------------------------------|--|
| Operating principle | Optical |
| Evaluation | digital |
| Size | 65 x 106 x 10 mm (Dimensions) |
| Design | Angle |
| Branch length | 55/54 mm |
| Characteristics | High transmit power and dirt penetration |
| Emitted light | Infrared, 870 nm, clocked |
| Service voltage | 10 ... 35 V DC (Supply Class 2) |
| Internal power consumption | < 45 mA |
| Operating distance | 60 mm (optical axis) |
| Sensitivity adjustment | no setting elements |
| Switching output | pnp, 200 mA, NO |
| Contamination output | pnp, 200 mA |
| Voltage drop | < 2,0 V |
| Switching frequency | 100 Hz |
| Ambient temperature | -10 ... +60 °C |
| Ambient light immunity | 5 kLx |
| Insulation voltage endurance | 500 V |
| Protection class | IP 67 |
| Protection degree | III, operation on protective low voltage |
| Casing material | Die-cast zinc |
| Connection | Connector, M12, 4-poled |
| Connecting cable | VK ... |